



KONICA MINOLTA

DIGITAL RADIOGRAPHY  
**FlexDR C30**



FlexDR  
C30



The essentials of imaging



KONICA MINOLTA

KONICA MINOLTA MEDICAL IMAGING USA, INC.  
411 NEWARK POMPTON TURNPIKE  
WAYNE, NJ 07470  
TEL: (973) 633-1500 FAX: (973) 523-7408  
WEBSITE: [medical.konicaminolta.us](http://medical.konicaminolta.us)

# FLEXDR C30



## Excelling in real time performance, efficient imaging and safety

An image is acquired in about 5 seconds and displayed simultaneously on both workstation screen and LCD sub panel in the examination room. The sub panel allows image checking, patient ID confirmation and various other operations in the examination room, providing a workflow that enhances the real time performance of FPD, streamlined imaging, and less burden on patients.

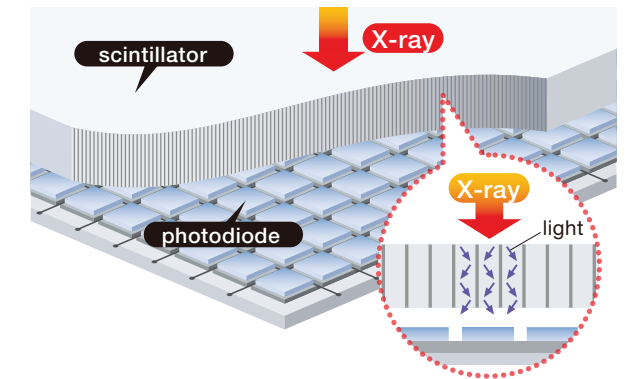
### <Main features of sub panel>

- Large-scale (10.4 inches) touch screen LCD monitor.
- Patient information can be checked upon positioning.
- Imaging parameters (image size, direction, position) can be modified in the examination room.
- Display has a familiarity with previous console displays, keeping the same usability.



## Contributing to lower dose and higher resolution

FPD (Flat Panel Detector) employs an indirect conversion system with CsI (cesium iodide) columnar crystal. It provides state-of-the-art diagnostic image by combining the image processing technology which Konica Minolta has developed over the years. In addition, the high quality FPD has a higher DQE enabling lower dose.



## FlexDR C30 delivers usability to meet the needs and expectations of imaging.

FlexDR C30 achieves more efficient workflow with excellent operability, uncompromising usability and rapid image acquisition (5 seconds after exposure). It also provides state-of-the-art, high level diagnostic image, by combining a high quality FPD (Flat Panel Detector) with the same proven image processing technology which Konica Minolta has become famous for.



## Easy grid exchange

Grids can be selected according to the imaging region of interest. Image quality is enhanced by an anti-scattering device. Grid exchange is quick and simple.



## Providing both safety and operability

The unit can be raised or lowered easily and smoothly with a light touch of a handle, providing both safety and simple operability. The unit can be lowered to 18 inches (from panels center to floor), allowing a wide range of image capture including lower limbs.



## Thoughtful and easy to use

### ■ Status indication lights:

Operational status of the unit is indicated by color coded indicator lights. Readiness for image capture and error occurrence can be immediately detected from a distance.

### ■ 3D shaped hold bars for PA/AP examination:

Hold bars are designed for all patients and all body types, providing both functionality and safety.

# H Y B R I D - W S C S - 3

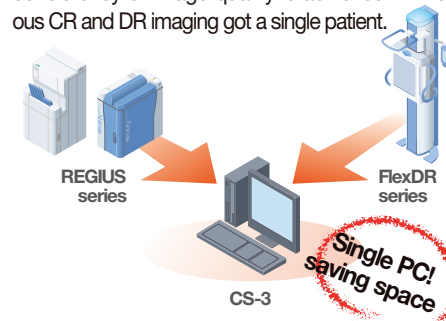
The Konica Minolta CS-3 workstation is a console for dual use with FlexDR and the REGIUS CR series. Touch screen LCD monitor with wide viewing angle provides a simple and intuitive user interface. Reliable image review features follow the same line as that of the FlexDR series.

The system provides total management from input of patient/order information received from HIS/RIS to image checking, while utilizing a simple and efficient image acquisition interface.



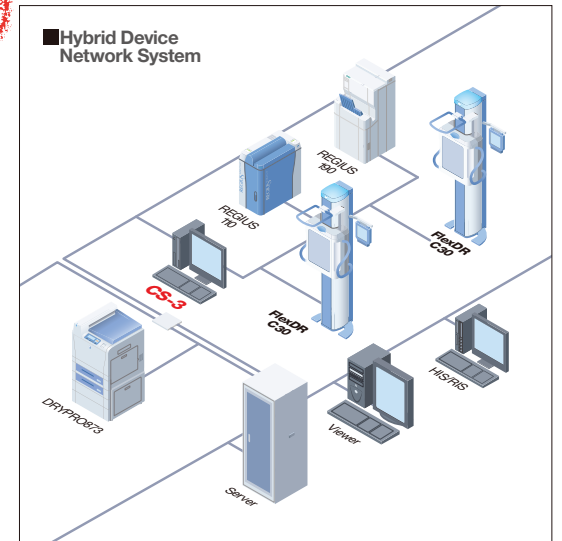
## Hybrid Device Workflow Console

The system centralizes workflow from order information management to image output in general X-ray imaging by the use of "FlexDR and REGIUS system". Change into Uniformity of handling (including console operations) and consistency of image quality is achieved with simultaneous CR and DR imaging got a single patient.



No movement between consoles!

- Patient selection
- FlexDR imaging selection
- Image acquisition
- Image checking
- REGIUS imaging selection
- Image acquisition
- Image checking
- Image adjustment



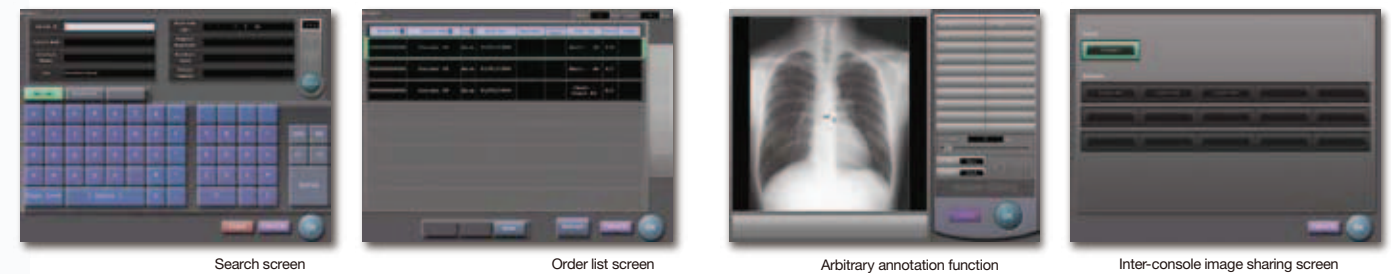
## Delivering Uncompromising Real Time Performance. Centralized control of DR and CR creates a comfortable work environment.

### Provision of real-time operation

Based on the review of image acquisition workflow, Konica Minolta offers an additional touch screen LCD monitor (sub panel) with FlexDR, providing image display and various other operations in the examination room to achieve a workflow with improved real-time performance. Upper line shows CS-3 display and lower line shows sub panel display.



\*To be released soon

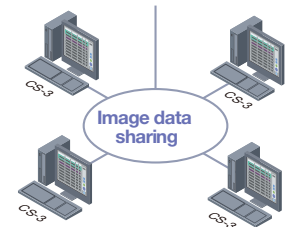


### Equipped with patient information registration function

- **Search screen:** On this screen, patient information can be searched by ID number. Suitable for operation with patient check-in at each imaging room.
- **Order list screen:** Registered orders are displayed sequentially in the combined use of patient check-in terminal. Suitable for operation with separate patient check-in.

### Various optional functions that enhance usefulness and convenience.

- **Arbitrary annotation function:** This function allows text editing and layout at any position on the image. Annotations can be reflected in the output (to host or printer).
- **Inter-console image sharing:** This function allows image data sharing among CS-3 consoles on a single network.



Screen design is subject to change without notice for the purpose of performance improvement.

# S P E C I F I C A T I O N S

Multiple functions and an excellent specification contained in a compact body

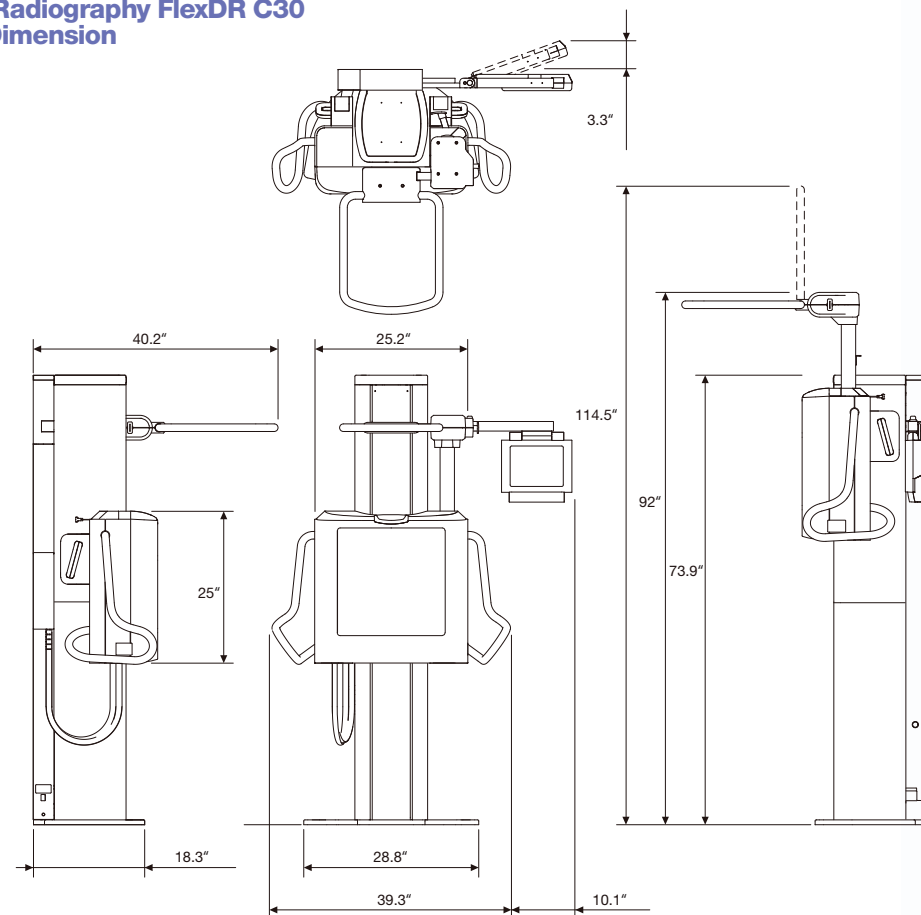
## Digital Radiography FlexDR C30 Specification

- **Detector**  
Flat panel detector  
Scintillator (CsI)
- **Exposure size**  
6 types (17"x17", 14"x17", 14"x14", 11"x14", 10"x12", 8"x10")
- **Sampling pitch size**  
139µm×139µm
- **Exposure resolution**  
3072×3072
- **Effective resolution**  
3052×3052
- **Gradation level**  
4096 levels (12bit)
- **Elevation range**  
18" - 62" (center)
- **Outer Dimension/Weight**  
40" (W) x 21" (D) x 74" (H) 946 lbs.
- **Power consumption**  
240 VA max.
- **Operating Conditions**  
Temperature: 59 - 80 deg. F. /Humidity: 30%-80%RH
- **Accessory**  
Power cable
- **Options**  
Height tracking cable, Center synchronization cable,  
Collimation synchronization cable

## Diagnostic Workstation CS-3 Specification

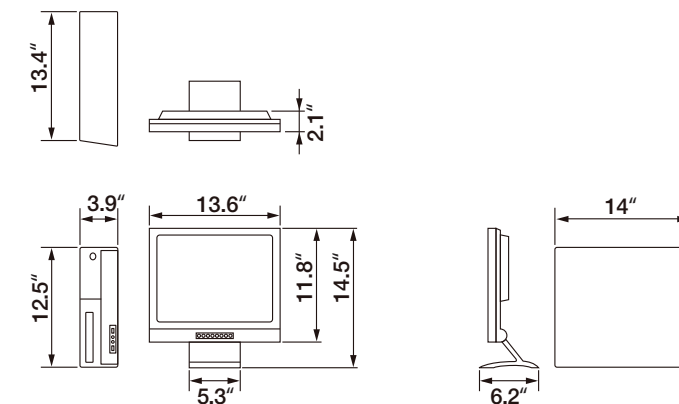
- **Image Processing**  
Automatic Gradation Processing (G Processing)  
Frequency Processing (F Processing)  
Equalization Processing (E Processing)  
Hybrid Processing (H Processing)
- **Image Output**
  - Maximum  
Host : 3ch for Routine, 1ch for backup  
Printer : 2ch for Routine, 1ch for backup
  - CS-3 Standard Software  
Host or Printer : 1ch for Routine, 1ch for backup
- **DICOM Support**  
Basic Grayscale Print Management (SCU)  
Storage (SCU)  
Modality Worklist Management  
Modality Performed Procedure Step  
Grayscale Standard Display Function (print output)
- **Maximum Device to a CS-3**  
REGIUS 170/190 16 units and REGIUS 370 1 unit
- **Output Format**  
1×1, 2×1, 1×2
- **Main Options**
  - **Hardware option**  
Bar Code Reader for Cassette Registration  
CS-1 PDA  
CS-1 PDA CRADLE  
IDS WW
  - **Software option**  
CS-3 MWM/FTP/DETACHED Option  
CS-3 MPPS/DETACHED Option  
CS-3 HQ Mammography Option  
CS-3 DICOM Output Additional#1  
CS-3 DICOM Output Additional#2  
CS-3 DICOM Output Additional#3  
CS-3 DICOM Output Additional#4  
CS-3 DICOM Output Package  
CS-3 Stitching Option  
CS-3 Image Sharing Option  
CS-3 Data Analysis Option

## Digital Radiography FlexDR C30 Outer Dimension



Unit : mm

## Diagnostic Workstation CS-3 Outer Dimension



Unit : in

The specifications above are subject to change without prior notice for the purpose of performance improvement.